

TS1212 Pinch Tube Valve

**Features:**

- Disposable feed Path
- Light weight
- Suitable for 2-part fluid

Application uses:

Anaerobics, CA's, Ink, Oil, Solder Mask, 2-Part...

Viscosity Range:

1cps – 45,000cps

TS5322 Series Spool Valves

**Features:**

- High flow rate
- Automatic end of cycle “suck-back”
- Optional Delrin® body for UV adhesives
- Suitable for moisture sensitive adhesive, when utilising supplied oiler

Application uses:

Flux Paste, Grease, RTV Silicone, UV Cure Gel, Solder Mask...

Viscosity Range:

Up to 1,000,000cps

TS5000DMP Series Rotary Valve

**Features:**

- No cleaning required . disposable fluid path - 6, 8 & 16 pitch feed screw.
- Encoder option available
- Suitable for medium to high viscosity fluids

Application uses:

Epoxy, Solder Paste, Flux Paste, Grease, RTV, Silicone, UV Cure, 2-part...

Viscosity Range:

30,000cps – 1,300,000cps

TS5620 Series Diaphragm Valves

**Features:**

- Long diaphragm life
- Excellent moisture sensitive resistance
- Compact design
- Wide range of fluid compatibility
- Suitable for UV adhesive

Application uses:

Oil, Water, CA, Solvent, Activator, Paint, Lacquer, Mold Release, UV Cure...

Viscosity Range:

1cps – 50,000cps

TS941 Series High Pressure Spool Valves

**Features:**

- Very high flow rate
- Low maintenance design
- Automatic end of cycle “suck-back”
- Up to 2500psi (172.36bar) fluid pressure

Application uses:

Flux Paste, Grease, RTV Silicone, UV Cure Gel, Solder Mask...

Viscosity Range:

Up to 3,000,000cps

TS7000 Series IMP Rotary Valve

**Features:**

- Quick cartridge change over
- Field replaceable parts
- Low-maintenance design
- Flexible syringe mounting
- Flexible motor mounting
- Interchangeable with TS5000DMP valve body

Application uses:

Epoxy, Flux Paste, Grease, RTV Silicone, Solder Paste, UV Cure...

Viscosity Range:

30,000cps – 1,300,000cps

TS5400 Series Needle Valves

**Features:**

- Excellent shot to shot consistency
- No “dead volume” when using the TS5440
- Suitable with UV adhesives when using the stainless steel versions
- Dispenses as low as 0.5 micro litre

Application uses:

Activator, Alcohol, Liquid Flux, Ink, Oil, Reagent, Solvent, UV Cure...

Viscosity Range:

1cps – 100,000cps

TS5500 Series Spray Valves

**Features:**

- No over spray
- Long life cycles
- Cone or Fan spray pattern
- Available in 3 orifice sizes
- New disposable tip micro-shot version

Application uses:

Activator, Alcohol, Conformal Coating, Ink, Liquid Flux, Lacquer, Oil, Solvent, UV Cure...

Viscosity Range:

1cps - 1,000cps TS5520
1cps - 5,000cps TS5540
1cps - 5,000cps TS5540-MS

TS9000 Series Jet Tech Valves

**Features:**

- Non-contact jetting technology
- Extremely high speed
- Accurate and precise dispensing
- Long component working life
- Small modular design
- Field replaceable spare parts
- Low total cost of ownership
- Capable of jetting low to high viscosity fluids

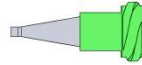
Application uses:

Silver Epoxies, Silicone Phosphor, Underfill, UV Adhesive...

ACCESSORIES

MT Series Tips - available in gauges 18, 19, 20, 21, 23, 25, 27 & 30
 Replace XX with 18, 19, 20, 21, 23, 25, 27 or 30 to determine gauge

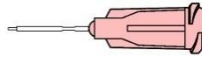
MTXX-PBN



e.g. for an 18 MT tip, the part number is **MT18-PBN**

TF Series - Teflon® Lined Tips - available in gauges 20 & 25
 Replace XX with 20 or 25 to determine gauge
 Replace *** with 050 or 100 to determine cannula length

TF7XX***PK

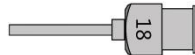


050 1/2" (12.7 mm) **Gauges 20 & 25**
100 1" (25.4 mm) **Gauges 20 & 25**

e.g. for a 20 gauge 1/2" TF tip, the part number is **TF720050PK**

TS-SS Series Tips - available in gauges 12 - 23, 25, 26, 27 & 28
 Replace XX with 12, 13, 14, 15, 16, 17, 18, 19, 20, 21, 22, 23, 25, 26, 27 or 28 to determine gauge

TSXXSS-1/2PK



e.g. for an 18 gauge TS-SS tip, the part number is **TS18SS-1/2PK**

Four Way Manifold



Provides equal flow for up to four fluid lines.
 Suitable with UV fluids - manufactured from Delrin®. Designed for use with Techcon Systems pressure tanks.

TS918-46

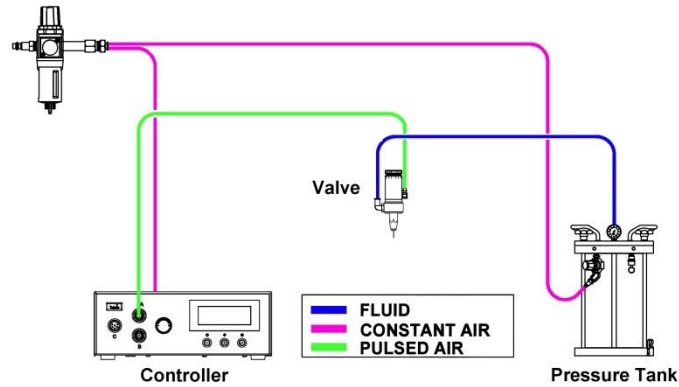
Compression Fittings



Compression fittings provide a secure connection to the valve & increases fluid flow. For use with 1/4" & 3/8" OD tubing.

TSD1003-16 - 90° 1/8" NPT x 1/4" OD tube
 TSD1002-17 - 1/8" NPT x 3/8" OD tube
 TSD1002-18 - 1/8" NPT x 1/4" OD tube
 TSD1002-38 - 1/4" NPT x 1/4" OD tube
 TSD1566-5 - 1/4" NPT x 3/8" OD tube

TYPICAL SETUP



TS500R Multi-Purpose Digital Controller

- Controls all pneumatic, spray and rotary valves
- Classic rectangular design
- All outputs displayed digitally
- Low pressure warning feature
- I/O Interface for automatic applications
- TIMED, TEACH and PURGE modes
- 2 year warranty



Full data sheet available upon request.

Water	1	cps	Low
Milk	3	cps	Low
Castor Oil	1 000	cps	Low
Maple Syrup	5 000	cps	Low
Honey	10 000	cps	Low
Choc Syrup	25 000	cps	Med
Ketchup	50 000	cps	Med
Mustard	70 000	cps	Med
Sour Cream	100 000	cps	High
Peanut Butter	250 000	cps	High
Shortening	1 200 000	cps	High



Valve Product Guide

DispenseRite

www.dispenserite.ca | 866 967 4660